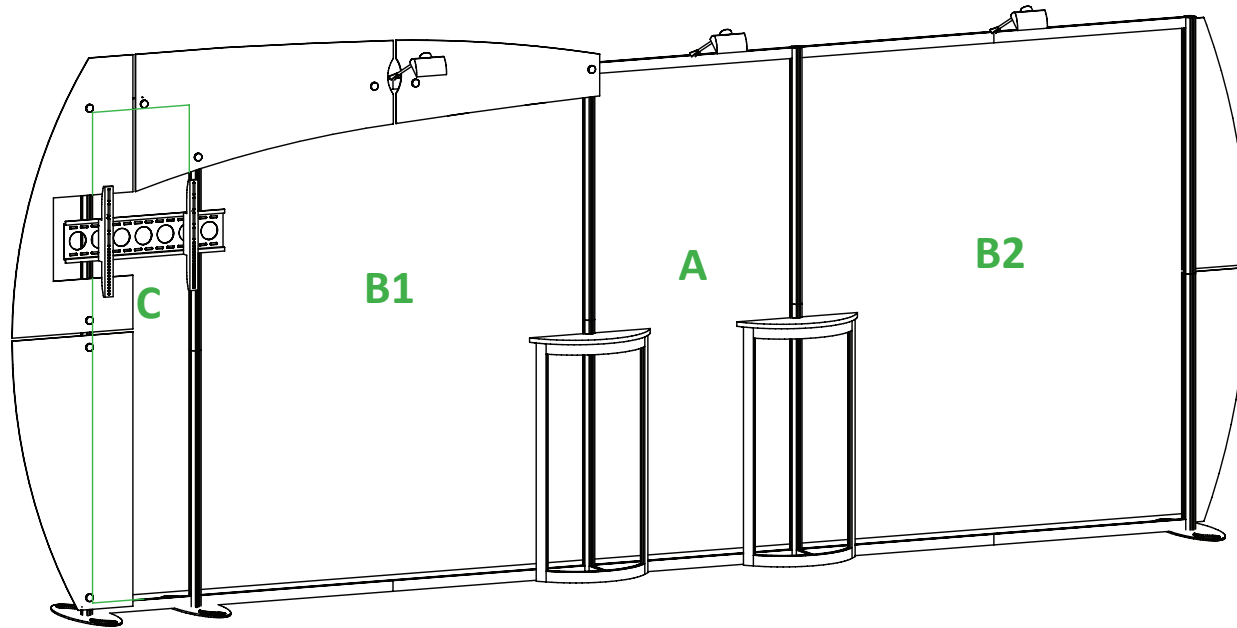


ECO-2040

PLEASE USE PDF FOR REFERENCE ONLY.

Contact your distributor for final graphic templates per order.



GRAPHIC SPECS

GRAPHIC A	Qty. 1
MATERIAL:	TENSION FABRIC *
TREATMENT:	PERIMETER VELCRO
APPROX. SIZE:	36.00" w x 83.79" h
GRAPHIC B	QTY. 2
MATERIAL:	TENSION FABRIC *
TREATMENT:	PERIMETER VELCRO
APPROX. SIZE:	70.00" w x 82.42" h
GRAPHIC C	QTY. 1
MATERIAL:	TENSION FABRIC *
TREATMENT:	PILLOWCASE GRAPHIC
APPROX. SIZE:	18.00" w x 82.42" h

* Recycled fabric options available

Recycled Fabric Graphics

Made from 100% recycled soda bottles, Paradise Fabric is a high quality 100% recycled content fabric, made in America. Recycled fabric options will vary depending on graphic application.

ECO-Glass

ECO-Glass is a "green" alternative to standard acrylic or plexiglass and is made from 100% post-industrial recycled content. ECO-Glass can be used for infills, accents and direct print graphic substrate. ECO-Glass can be clear or frosted.

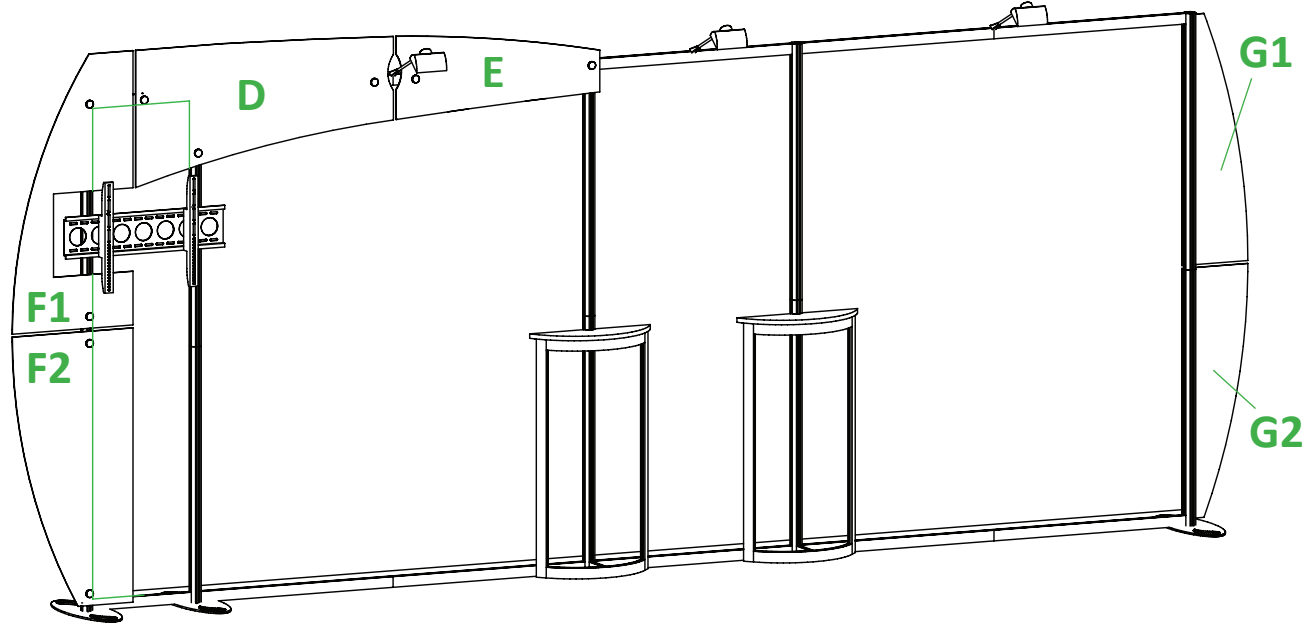
ECO-Board

ECO-Board is a white printable and completely biodegradable polystyrene material. It offers a 2-sided printable surface which makes it an eco-friendly alternative to Sintra (made from PVC), and can biodegrade in a landfill in as little as 9 months. ECO-Board comes in 2 different thicknesses - 1/16" & 1/8."

ECO-2040

PLEASE USE PDF FOR REFERENCE ONLY.

Contact your distributor for final graphic templates per order.



GRAPHIC SPECS

GRAPHIC D	QTY. 1
MATERIAL:	1/8" ECO-BOARD
TREATMENT:	DIRECT PRINT HEADER
APPROX. SIZE:	47.00"w x 23.00"h
GRAPHIC E	QTY. 1
MATERIAL:	1/8" ECO-BOARD
TREATMENT:	DIRECT PRINT HEADER
APPROX. SIZE:	37.15"w x 13.95"h
GRAPHIC F	QTY. 2
MATERIAL:	1/8" ECO-BOARD
TREATMENT:	DIRECT PRINT GRAPHIC
APPROX. SIZE:	22.00"w x 46.00"h
GRAPHIC G	QTY. 2
MATERIAL:	1/8" ECO- BOARD
TREATMENT:	DIRECT PRINT GRAPHIC
APPROX. SIZE:	12.00"w x 42.00"h

Recycled Fabric Graphics

Made from 100% recycled soda bottles, Paradise Fabric is a high quality 100% recycled content fabric, made in America. Recycled fabric options will vary depending on graphic application.

ECO-Glass

ECO-Glass is a "green" alternative to standard acrylic or plexiglass and is made from 100% post-industrial recycled content. ECO-Glass can be used for infills, accents and direct print graphic substrate. ECO-Glass can be clear or frosted.

ECO-Board

ECO-Board is a white printable and completely biodegradable polystyrene material. It offers a 2-sided printable surface which makes it an eco-friendly alternative to Sintra (made from PVC), and can biodegrade in a landfill in as little as 9 months. ECO-Board comes in 2 different thicknesses - 1/16" & 1/8."